

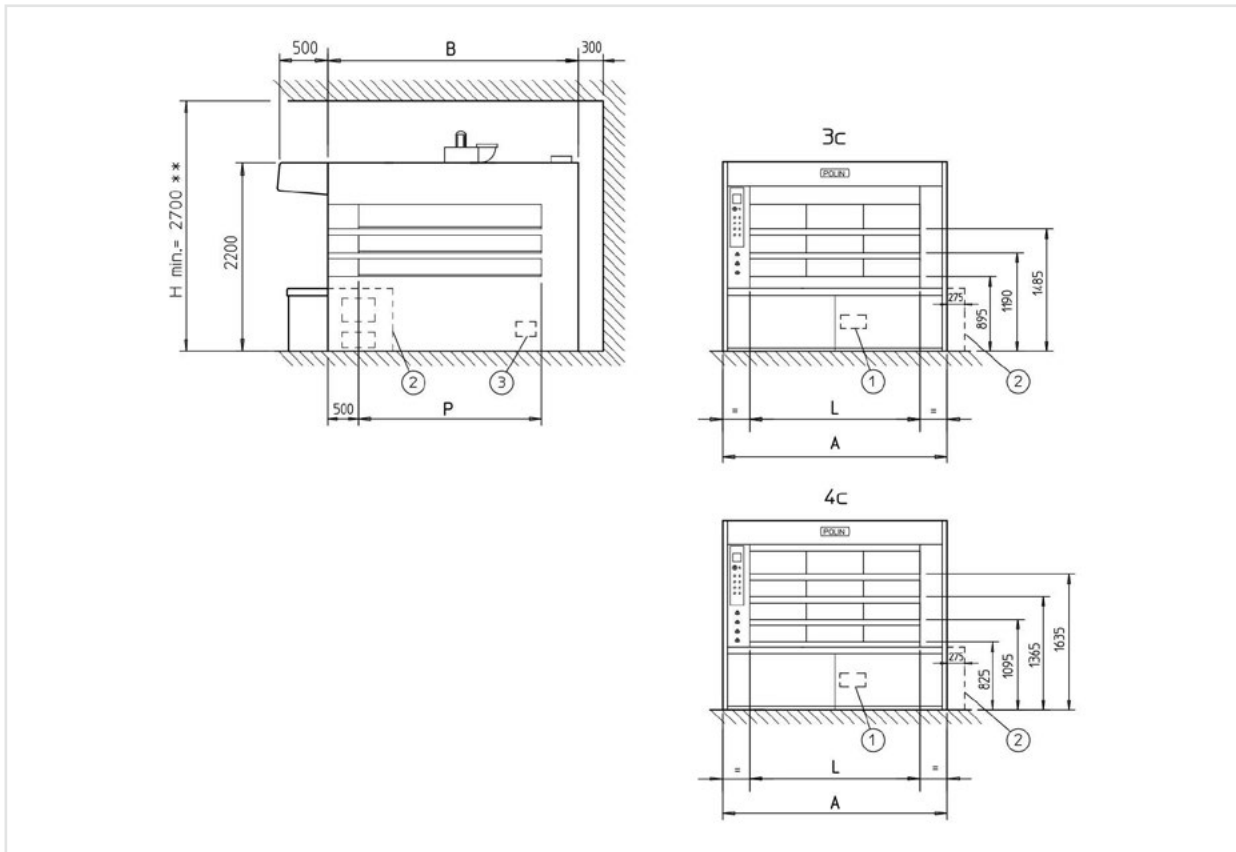
# TV DRAGO 200



- N° 1 steam generator for each deck
- Hood with exhaust fan
- N° 1 steam exhaust valve each deck
- Double speed exhausting hood
- (standard width 186 - 248)
- Steam generators control by electrovalve with timer (SIMPLE excluded)
- Fumes chimney with manual shutter
- Safety thermostat
- Emergency wood body furnace frontal (without grids and door - optional)
- Baking plates in "armored concrete"
- Doors with low emission dismountable glass
- Automatic start (excluding SIMPLE)
- Baking timer (excluding SIMPLE)

<i>Power inlet</i>	400/3N~/50
<i>Water inlet</i>	Ø ½" GAS
<i>Steamer drain</i>	Ø 1" GAS
<i>Fuel pipe inlet</i>	-----
<i>Steam exhaust output</i>	Ø 250 mm*
<i>Fume exhaust with blown-air burner</i>	Ø 250 mm
<i>Fume exhaust with atmospheric burner + kit</i>	Ø 200 mm
<i>Frontal door (anti-explosion and cleaning access)</i>	Pos.1
<i>Right door for furnace (optional)</i>	Pos.2
<i>Cleaning access door (optional)</i>	Pos.3

\* Minimum diameter pipe exhaust fumes 200 mm.



	Chambers	Baking Surface	Dim.	Useful dimension chambers						Installed power		Minimum door width	Weight
				Length	Height				Thermic	Electrical			
	n°	mq	B mm	P mm	1°mm	2°mm	3°mm	4°mm	kcal/h	kW	mm	kg	
6,3 / 124x170-3	3	6,3	2575	1700	200	200	250	-	65.000		650x1470	5.850	
8,4 / 124x170-4	4	8,4	2575	1700	170	170	170	250	70.000		650x1620	6.500	
8,0 / 124x214-3	3	8,0	3015	2140	200	200	250	-	70.000		650x1470	6.850	
10,6 / 124x214-4	4	10,6	3015	2140	170	170	170	250	75.000	1,0	650x1620	7.600	
9,6 / 124x258-3	3	9,6	3455	2580	200	200	250	-	73.000		650x1470	7.830	
12,8 / 124x258-4	4	12,8	3455	2580	170	170	170	250	80.000		650x1620	8.700	
9,4 / 186x170-3	3	9,4	2575	1700	200	200	250	-	78.000		650x1470	6.750	
12,5 / 186x170-4	4	12,5	2575	1700	170	170	170	250	80.000		650x1620	7.750	
12,0 / 186x214-3	3	12,0	3015	2140	200	200	250	-	85.000	1,2	650x1470	7.850	
16,0 / 186x214-4	4	16,0	3015	2140	170	170	170	250	93.000		650x1620	8.950	
14,0 / 186x258-3	3	14,0	3455	2580	200	200	250	-	90.000		650x1470	8.950	
19,0 / 186x258-4	4	19,0	3455	2580	170	170	170	250	96.000		650x1620	10.330	
12,6 / 248x170-3	3	12,6	2575	1700	200	200	250	-	85.000		650x1470	7.700	
16,8 / 248x170-4	4	16,8	2575	1700	170	170	170	250	96.000		650x1620	8.900	
16,0 / 248x214-3	3	16,0	3015	2140	200	200	250	-	98.000	1,2	650x1470	8.770	
21,2 / 248x214-4	4	21,2	3015	2140	170	170	170	250	115.000		650x1620	10.200	
19,2 / 248x258-3	3	19,2	3455	2580	200	200	250	-	105.000		650x1470	9.760	
25,6 / 248x258-4	4	25,6	3455	2580	170	170	170	250	125.000		650x1620	11.500	