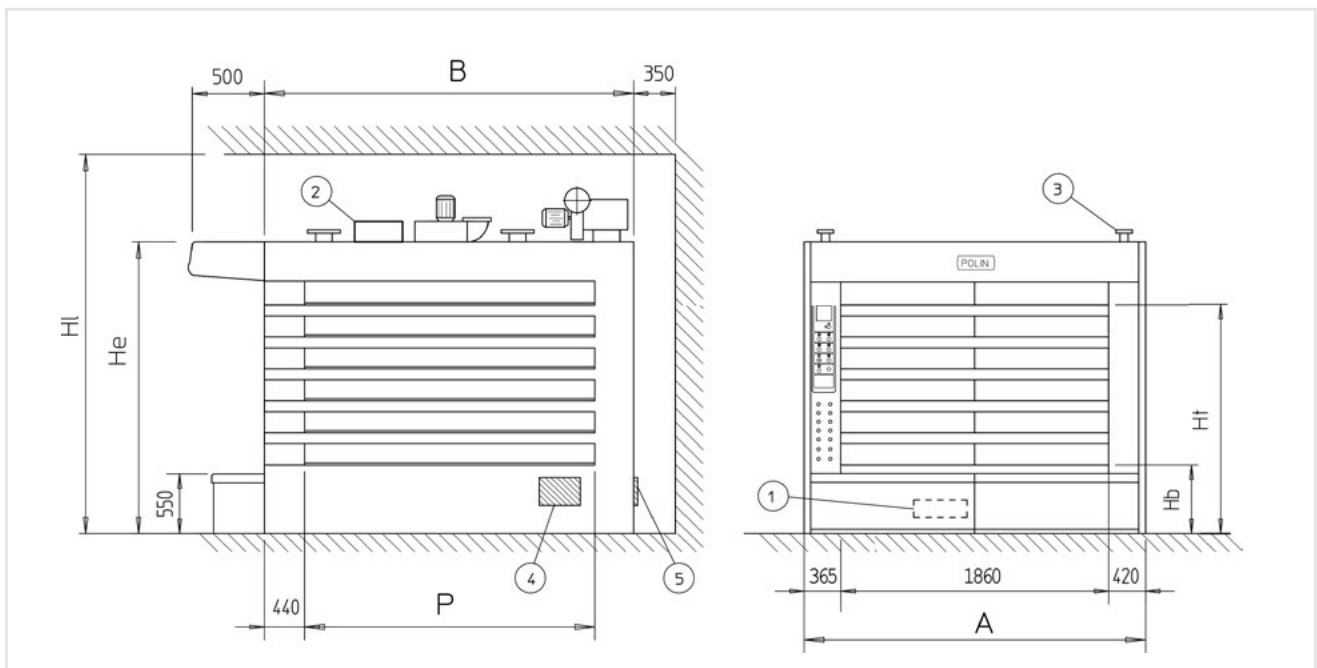


TV SYNT PELLETT AX



- Deck useful height 22 cm
- Presetting for automatic loading device matching
- N° 1 steamer for each deck on right side
- N° 1 steam exhaust valve each deck
- Deck ready for installation of supplementary steam generator
- Steam generators control by electrovalve with timer
- Hood with double speed exhaust fan
- Deck decompression discharge valve in the mouth
- Motorised chimney shutter
- It's possible to move controls to automatic loading system
- Baking plates in "armored concrete"
- Safety thermostat
- Doors with low emission dismountable glass.
- Automatic start
- Aided draught kit
- Available in versions INDUSTRIAL 0.20H and HI CONTROL 0.20H

<i>Power inlet</i>	400/3N~/50
<i>Water inlet</i>	Ø ½" GAS
<i>Steamer drain</i>	Ø 1" GAS
<i>Fuel pipe inlet</i>	-
<i>Steam exhaust output</i>	Ø 250 mm
<i>Fume exhaust output</i>	Ø 250 mm
<i>Frontal door (anti-explosion and cleaning access)</i>	Pos.1
<i>Motorized valves group (optional)</i>	Pos.2
<i>Guide blade plate fixation (optional)</i>	Pos.3
<i>Inspection rear flue cleaning</i>	Pos.4
<i>Side rear cleaning door (Optional burner flame horizontal)</i>	Pos.5



	Chambers	Chambers dimensions		Overall dimension		Installed power		Minimum door width	Weight
		Height	Length	Width	Length	Thermic	Electrical		
	n°	mm	mm	mm	P mm	kcal/h	kW	mm	kg
15,8/186x170-5	5	220	1700	2645	2430	78.000	2,5	650x2250	5500
18,9/186x170-6	6	220	1700	2645	2430	90.000	2,5	650x2250	6300
20,0/186x214-5	5	220	2140	2645	2870	90.000	2,5	650x2250	6650
23,8/186x214-6	6	220	2140	2645	2870	98.000	2,5	650x2250	7700
24,0/186x258-5	5	220	2580	2645	3310	98.000	2,5	650x2250	7400
28,8/186x258-6	6	220	2580	2645	3310	125.000	2,5	650x2850	8450